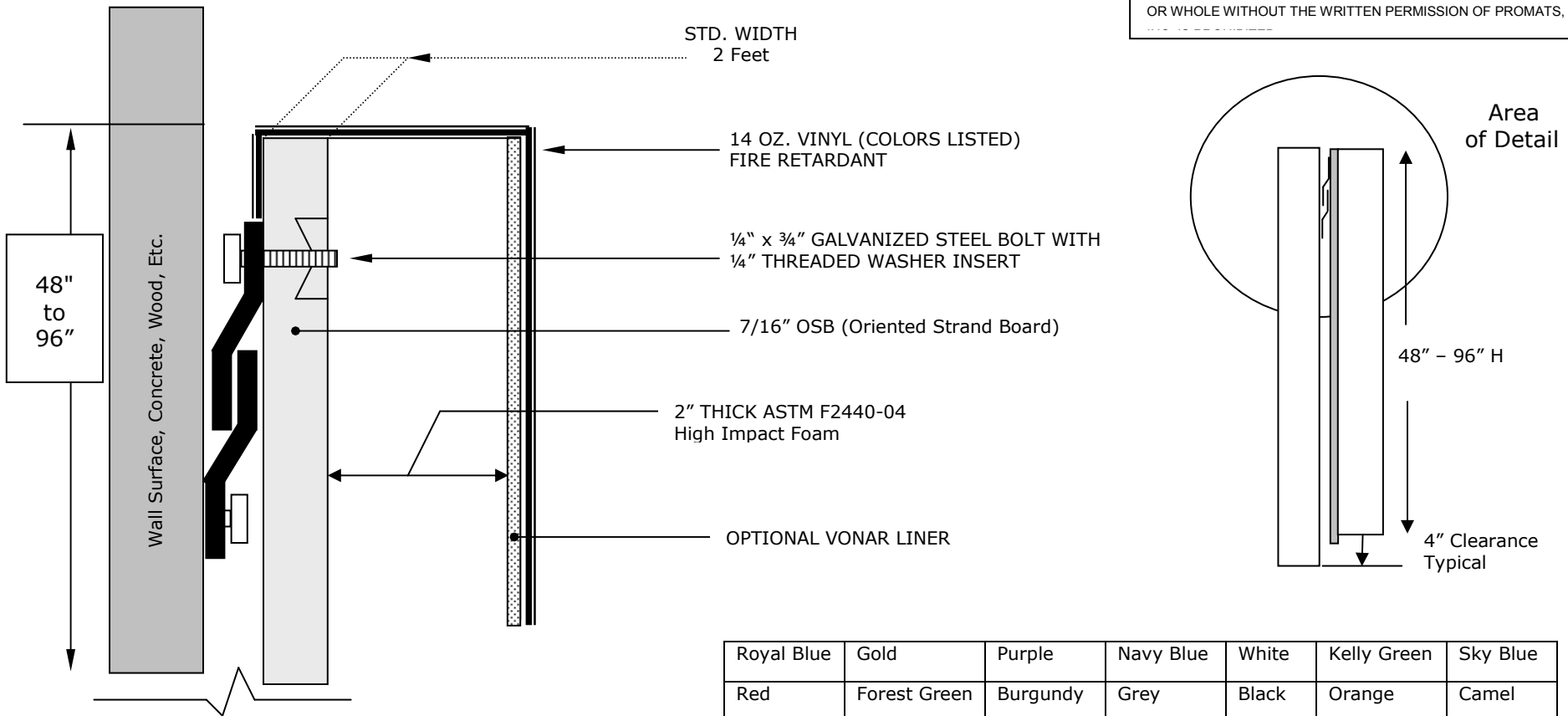


THE INFORMATION CONTAINED IN THIS DRAWING IS THE SOLE PROPERTY OF PROMATS, INC. AND ANY REPRODUCTION IN PART OR WHOLE WITHOUT THE WRITTEN PERMISSION OF PROMATS, ...



**Wall Padding Specifications:
Wood Backed Pads for Interior Use (WZHI)**

Application: Masonry or Wood Walls
Backing: 7/16" OSB (Oriented Strand Board)
Vinyl Covering: 14 oz. Vinyl, Leather Grain appearance, 1300 Denier Polyester Base Fabric, Tear Strength: 93 x 83, Strip Tensile: 365 x 348, Anti-fungal, Flame Resistant: Class A. Colors per manufacturer's standard selection, as selected by Architect. Vinyl cover is wrapped around the backside of the wood and stapled every 3" with galvanized steel staples.
Filler Foam for wood backed pads: 2" THICK ASTM F2440-04 High Impact Foam

Attachment: 18 gauge galvanized metal Z-Clips mounted to the panel using $\frac{1}{4}$ " x $\frac{3}{4}$ " galvanized bolts screwed into $\frac{1}{4}$ " threaded washer inserts. "Z" clips at the top and 1" mounting strip at the bottom.

April 3, 2007

Interior Wall Pad - Z-Clip attachment (WZHI)

NOT TO SCALE



Post Office Box 508
 Fort Collins, CO 80522-0508
 800-678-6287
 FAX 970-482-7740

Drawn By: _____

Drawing #: _____

Project Name: _____