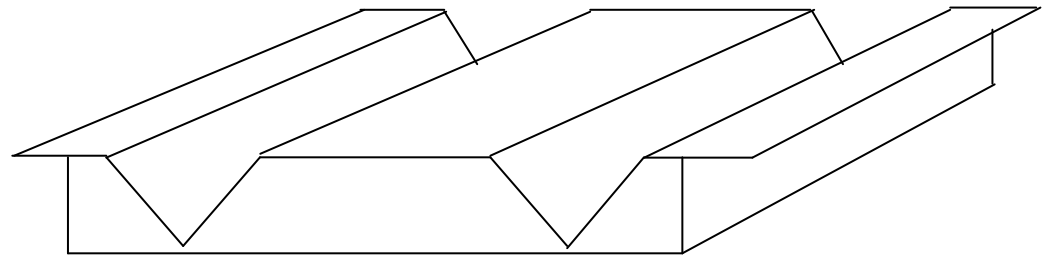
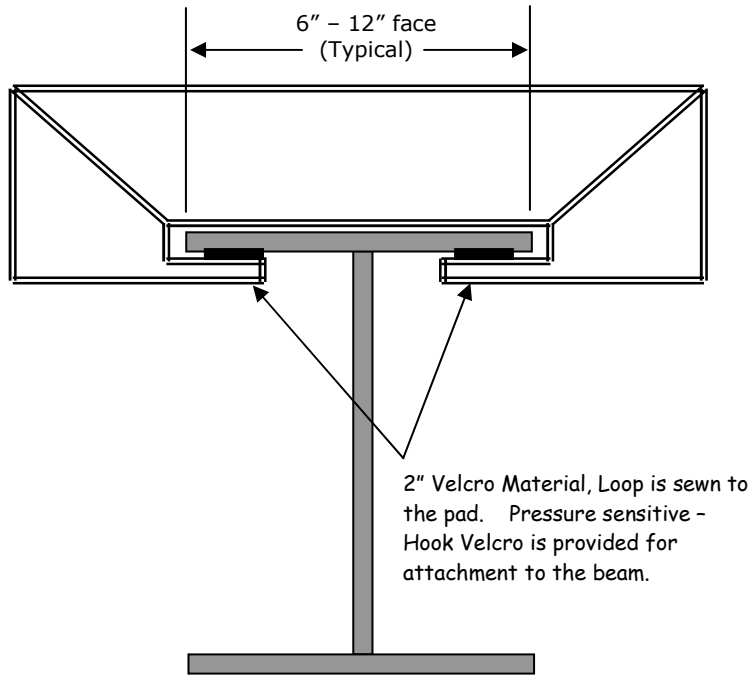


THE INFORMATION CONTAINED IN THIS DRAWING IS THE SOLE PROPERTY OF PROMATS, INC. AND ANY REPRODUCTION IN PART OR WHOLE WITHOUT THE WRITTEN PERMISSION OF PROMATS,



Royal Blue	Gold	Purple	Navy Blue	White	Kelly Green	Sky Blue
Red	Forest Green	Burgundy	Grey	Black	Orange	Camel

**Sewn Pad Specifications:
Interior Use - I-Beam Wrap (IBHI)**

Application: Iron, Steel or Other Smooth Faced I-Beam Material.
Vinyl Covering: Vinyl Covering: 14 oz. Vinyl, Leather Grain appearance, 1300 Denier Polyester Base Fabric, Tear Strength: 93 x 83, Strip Tensile: 365 x 348, Anti-fungal, Flame Resistant: Class A. Colors per manufacturer's standard selection, as selected by Architect. Vinyl cover is stitched using 6 lbs. bonded polyester thread, color: Black.
Filler Foam for Wall pads: 2" THICK ASTM F2440-04 High Impact Foam
Attachment: 2" Velcro Material, Loop is sewn to the pad. Pressure sensitive - Hook Velcro is provided for attachment to the beam.

April 3, 2007
Interior Sewn Pad I-Beam Wrap (IBHI)
NOT TO SCALE



Post Office Box 508
 Fort Collins, CO 80522-0508
 800-678-6287
 FAX 970-482-7740

Drawn By:
Drawing #:
Project Name: